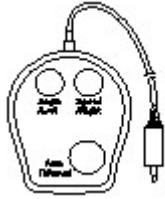




# MODEL SG7090X AUTO PAN



MOTORIZED AUTO PAN



65 FT WIRED REMOTE CONTROL



SPRING CABLE



OWNERS MANUAL

### THIS PACKAGE CONTAINS:

- 1 - Auto Pan Camera Mount
- 1 - Remote Control with 65 ft. wire
- 1 - Spring Cable
- 1 - Owners Manual
- 1 - Warranty Card

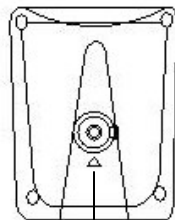
### FEATURES

- Motorized camera mount with 3 adjustable Pan selections (90°, 180°, 270°)
- No extra wires to run – use power directly from Lorex camera
- Compatible with Lorex/Sylvania Observation System Cameras
- Selectable Auto Speed (High/Low)
- Use with or without supplied Remote control (Includes 65ft of wire)
- Can also be powered by a 12V DC adaptor (not included)

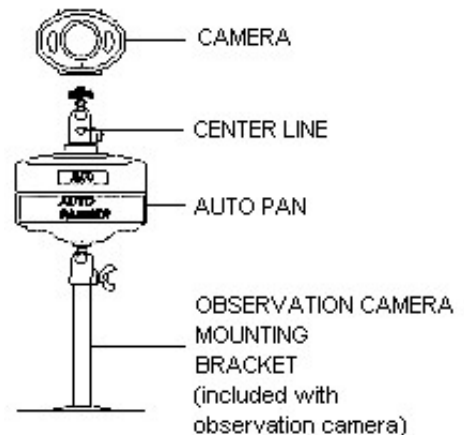
### ADJUSTING THE CAMERA

Notice that there is a white arrow on the rounded head of the Auto Pan camera mount, and another one on the top side of the mount. This mark is set at the default Center point of panning. To ensure that your camera pans the intended area in front, make sure that the two arrows are aligned and then attach the camera with the lens centering directly above the two arrows.

**NOTE: Auto Pan is not designed for ceiling mount applications.**

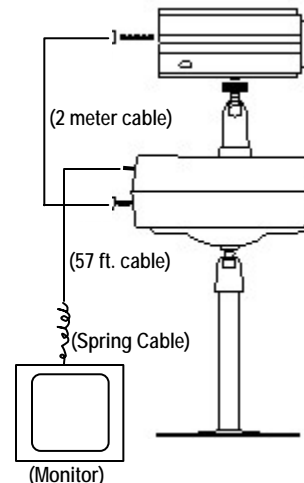


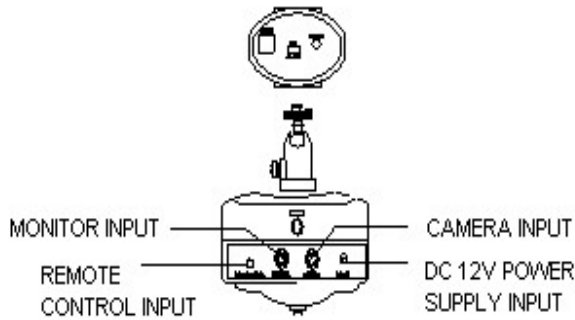
CENTER LINE



### CONNECTION TO CAMERA AND OBSERVATION SYSTEM

1. Connect the 2 meter cable from the observation camera to the AUTO PAN'S Camera Input.
2. Connect one end (male coupler) of the 57 ft. cable (included with the observation system) to the AUTO PAN'S Monitor Input, connect the other end (female coupler) of the 57 ft. cable to the Spring Cable, and connect the Spring Cable (male coupler) to the monitor.
3. Attach one end of the supplied spring cable to the 57 ft. camera cable, connect the other end to the monitor.
4. Connect the wired Remote Control to Auto Pan to set the Auto Pan setting.

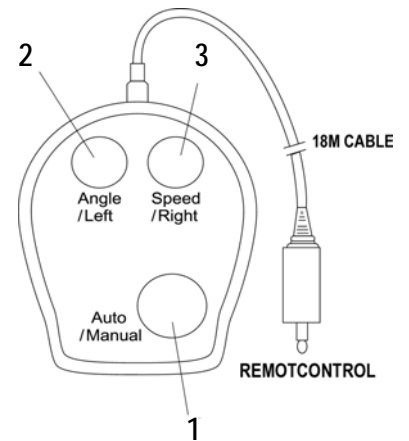




**NOTE:** To connect cameras that have BNC inputs, you will require an Accessory 6 Pin / BNC Coupler and a 12V DC adaptor which are not included.

**OPERATION VIA WIRED REMOTE CONTROL**

1. The "Auto/Manual" button switches Auto Pan between Manual mode and Auto mode.
2. The "Angle/Left" Button:  
 In Auto mode, pressing this button once changes the panning angle from 90° to 180° to 270°, back to 90°, etc.  
 In Manual mode, pressing this button once pans slightly to the Left.
3. The "Speed/Right" Button:  
 In Auto mode, pressing this button changes the panning speed from Low to High, or from High to Low.  
 In Manual mode, pressing this button once pans slightly to the Right.



**NOTE:** Once the settings are complete, you can remove the remote control. Auto Pan will Pan based on your settings.

<b>SPECIFICATIONS</b>	
<u>Auto Pan</u>	
Power requirement	Powered from the monitor via cable with DC 12V 300mA option
Cable	20m (65 feet)
Dimensions	81.3mm(W)x62mm(H)x100mm(D) 3.3"(W) x 2.5"(H) x 4"(D)
Weight	9.6oz

**Distributed By:**  
**Strategic Vista Corp.**  
 300 Alden Road, Markham, Ontario Canada L3R 4C1  
 Tel: (905) 946- 8589 Fax: (905) 947-0138

**FOR INFORMATION:**  
[www.strategicvista.com](http://www.strategicvista.com)

Because our products are subject to continuous improvement, SVC reserves the right to modify product designs and specifications without notice and without incurring any obligation. E. & O.E.