



MODEL – SG620

Simulated (Dummy) Dome Camera

INTRODUCTION

Your Lorex Simulated Security Dome Camera is an affordable and effective theft deterrent device. It looks like a real surveillance camera with its flashing red indicator and dome construction. You can mount the simulated security camera in a visible area on a ceiling to deter possible thieves and intruders.

Your simulated security camera comes with a wall/ceiling mount plate, two screws and two dry wall anchors.

INSTALLING BATTERIES

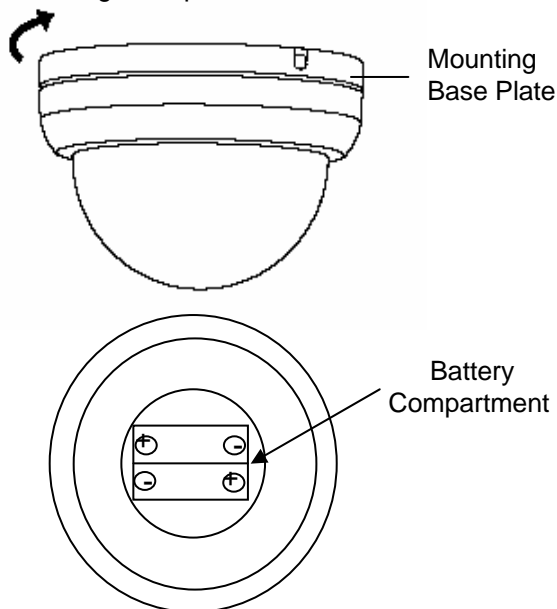
Your simulated security camera requires two “C” batteries (not supplied) for power.

Cautions:

- Use only fresh batteries of the required size and recommended type
- Do not mix old and new batteries, different types of batteries (standard, alkaline, or rechargeable), or rechargeable batteries of different capacities

Follow four steps to install batteries:

1. Open the dome camera by twisting off the mounting base plate



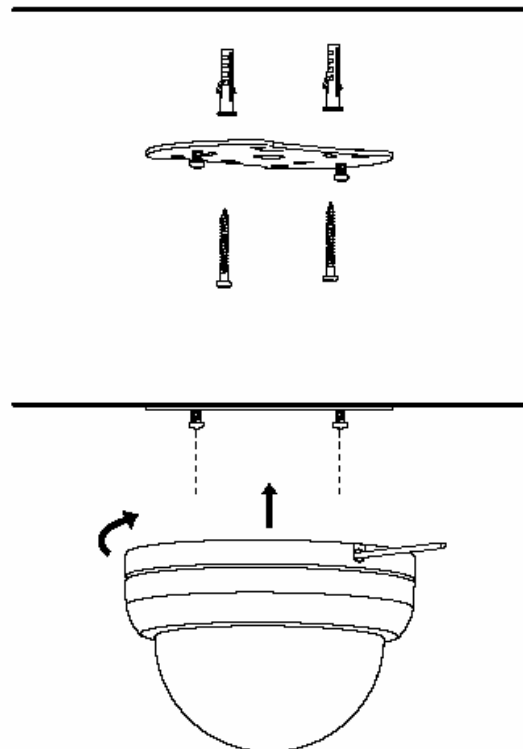
2. Unscrew the battery compartment.
3. Place the batteries in the compartment as indicated by the polarity symbols (+ and -) marked inside.
4. The red indicator at the top of the dome camera will flash.

Fresh batteries will power the simulated security camera's indicator for about 4 months. When the indicator dims or stops flashing, replace the batteries

Warning: Dispose of old batteries promptly and properly. Do not burn or bury them

Caution: If you do not plan to use the simulated security camera with batteries for a month or more, remove the batteries. Batteries can leak chemicals that can destroy electronics parts

INSTALLING THE SIMULATED DOME SECURITY CAMERA



1. Using the mounting base plate as a template, use a pencil to mark the position of the two screw holes on the mounting location
2. Drill two 1 inch holes in the marked positions
3. If necessary, insert the two supplied drywall anchors into the screw holes
4. Insert a 1 inch screw through each of the two screw holes in the mounting base plate and into the mounting surface, then tighten the screws.
5. Twist the top of the dome camera (with the batteries installed) onto the base plate

USNG THE SIMULATED SECURITY CAMERA

Since this unit does not have an ON/OFF switch you will need to remove the batteries when the simulated dome camera is not in use for more than a month.

CARE

Keep the simulated security camera dry. If it gets wet wipe it dry immediately. Use and store the simulated security camera only in normal temperature environments. Handle the simulated security camera carefully; do not drop it. Keep the simulated security camera away from dust and dirt, and wipe it with a damp cloth occasionally to keep it looking new

Modifying or tampering with the simulated security camera's internal components can cause a malfunction and might invalidate its warranty

SPECIFICATIONS

Power Source.....DC 3V (2 "C" batteries)

Alkaline Battery Life.....About 4 months

Dimensions.....5"(Diameter) x 3 ½" (Height)

Weight (without batteries).....0.45 lbs

Distributed By:

STRATEGIC VISTA CORP.

300 Alden Road, Markham, Ontario, Canada L3R 4C1

For more information: www.strategicvista.com

As our products are subject to continuous improvement, SVII and its subsidiaries reserve the right to modify product design, specifications and prices, without notice and without incurring any obligation.
E&OE